

# VERTICAL BATCH FREEZER

## IC3 RANGE

该款冰淇淋机设计受雪芭机的启发，结合现代科技；使我们可以在保持传统方法的基础上快速和简单的制作GELATO。

泰珂玛IC系列冰淇淋凝冻机意味着永恒的品质和成功的结果。

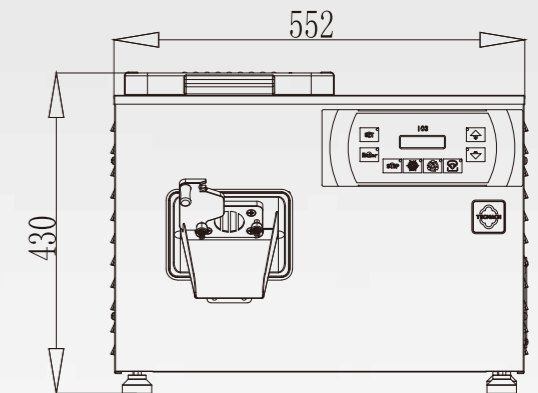
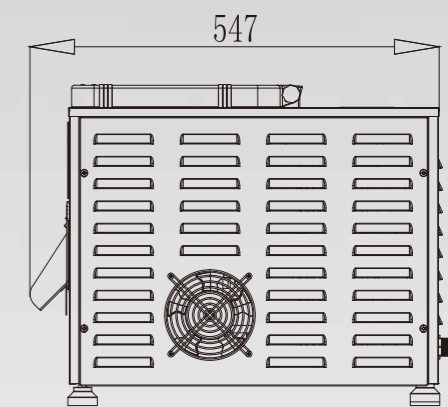
The project of this machine was directly inspired by the sorbettiera machine and thanks to the modern advanced technology, today we can make gelato in a fast and easy way by preserving the old tradition of the ancient technique.

IC batch freezers by Tecmach are synonymous of long lasting quality and successful results.



硬冰机系列 BATCH FREEZER IC3	
型号 MODEL	IC3
尺寸 (mm) DIMENSIONS (mm)	547x552x430
净重/毛重 (kg) WEIGHT NET/GROSS KG	65/75
电源V/Ph/Hz POWER SUPPLY V/Ph/Hz	198-240/1/50
功率 (W) POWER (W)	1000
落地式/桌上型 FREE-STANDING ( F ) / TABLE TOP ( T )	T
缸体容积 (L) CAPACITY ( L )	5
原料投放 (最少/最多) (L) INPUT (MIN/MAX) ( L )	1 / 2
每批时间 (分钟) CYCLE TIME (min)	15-20
产能 (升) HOURLY PRODUCTION ( lt )	6-8
风冷 AIR COOLING	√
水冷 WATER COOLING	

\*原料温度/Ingredients temperature 4°C  
 \*环境温度/Environment temperature 25°C



台式机专为要求空间小、产量小的客户设计，特别适用于酒店、酒吧、咖啡店等场所。

Table top machine for small specific needs for gelato Chefs. Designed specifically for restaurants or bars.