

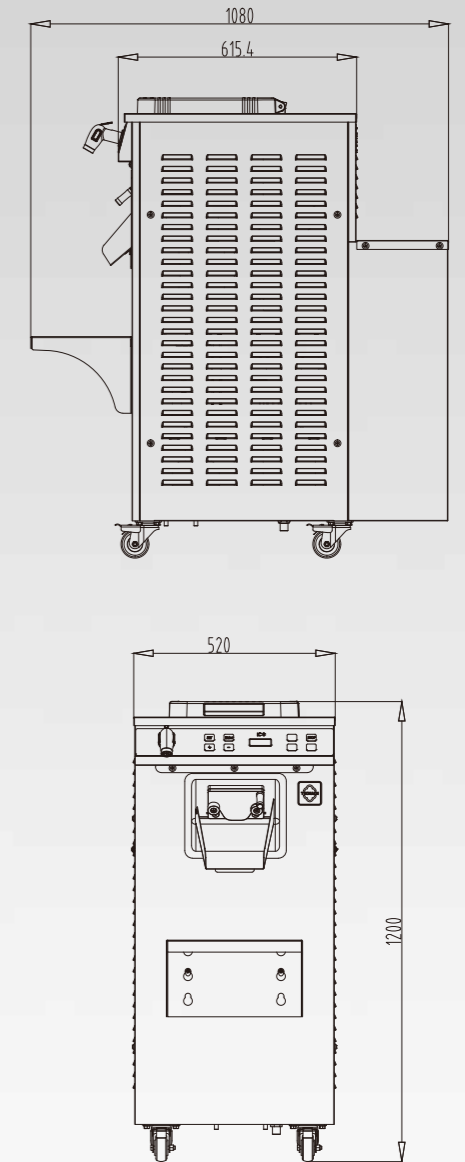
VERTICAL BATCH FREEZER

IC8 RANGE



硬冰机系列 BATCH FREEZER IC8	
型号 MODEL	IC8
尺寸 (mm) DIMENSIONS (mm)	520x1080x1200
净重/毛重 (kg) WEIGHT NET/GROSS KG	195/215
电源V/Ph/Hz POWER SUPPLY V/Ph/Hz	380-400/3/50
功率 (W) POWER (W)	4000
落地式/桌上型 FREE-STANDING (F) / TABLE TOP (T)	F
缸体容积 (L) CAPACITY (L)	14.5
原料投放 (最少/最多) (L) INPUT (MIN/MAX) (L)	5 / 8
每批时间 (分钟) CYCLE TIME (min)	15-20
产能 (升) HOURLY PRODUCTION (lt)	20-30
风冷 AIR COOLING	√
水冷 WATER COOLING	√

*原料温度/Ingredients temperature 4°C
 *环境温度/Environment temperature 25°C



该机型为落地式专为要求产量中等的客户设计，特别适用于冰淇淋店、甜品店等场所。

Free-standing machine for medium specific needs for gelato Chefs. Designed for those who desire to open a gelato shop.